

FOR ORDERING INFORMATION REFER TO PARTS PRICE LIST

# CABINET PARTS

For Models: KFIL27CXMS1  
(Monochromatic Stainless)

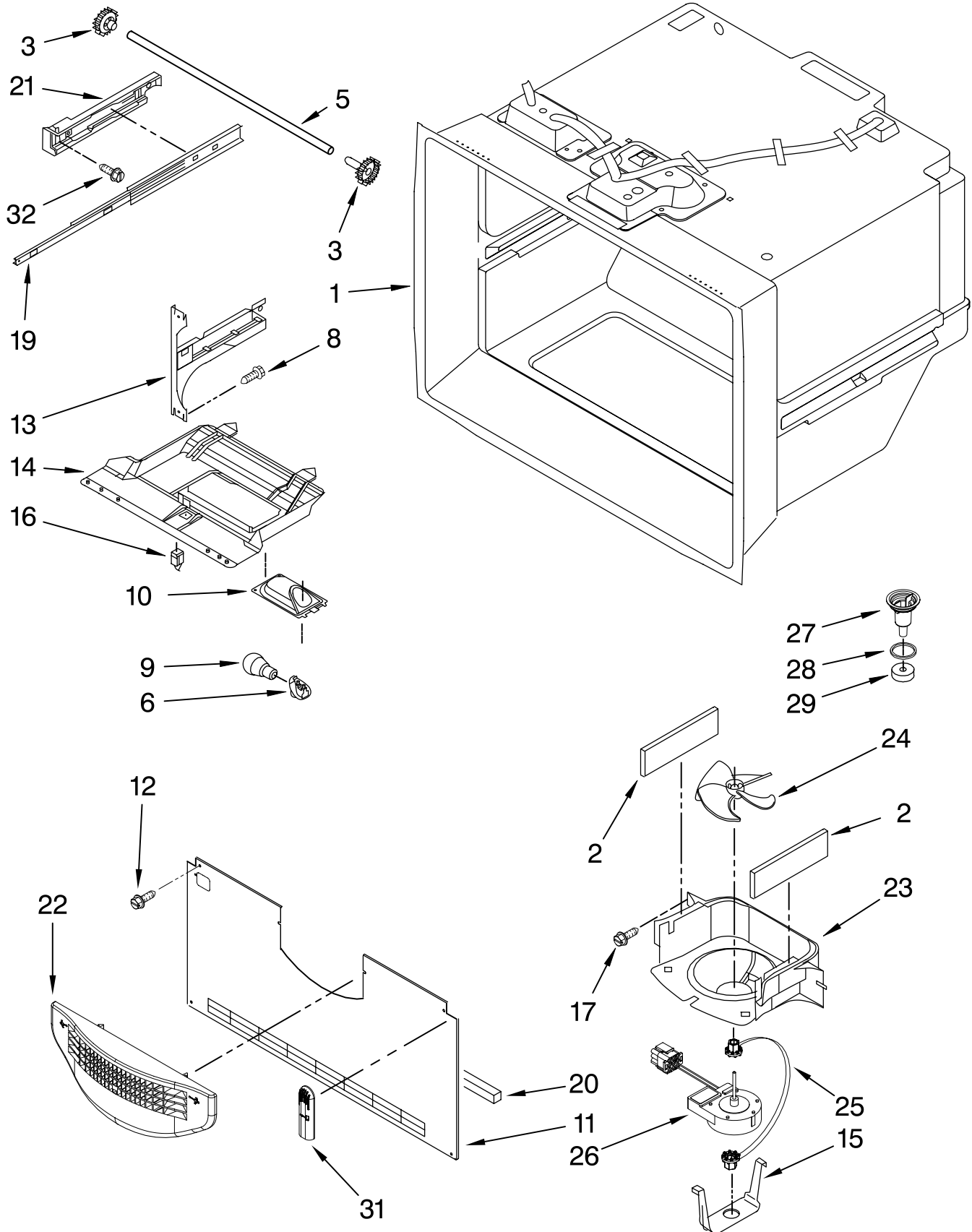
Illus. No.	Part No.	DESCRIPTION
1		Literature Parts
	W10310695	Tech Sheet
	W10278586	Owners Manual
	W10326969	Tag, Energy
2	W10226427	Power Supply
3	12698403	Block, Pivot
4	B5759655	Gasket
5	W10267646	Board, Control (HV, Gemini)
6	12957801K	Gasket, HV Box
7	A3076901	Plug, Button
8	W10141622	Brake, Foot
9	12992602	Screw
10	12963205ED	Hinge, Top Right
11	12992201	Screw (6)
12		Cover, Right Hinge
	W10272998	Apollo Grey
13		Cover, Left Hinge
	W10272486	Apollo Grey
14	12992403	Screw (6)
15		Hinge, Center (RT)
	13000002AP	Apollo Grey
16	W10213219	Fill Tube, Icemaker
17		Cover, Corner (2)
	12587703AP	Apollo Grey
18	W10213415	Hinge, Top Left
19		Roller Assembly
	W10275850	Left
	W10275849	Right
20	12991302	Screw (8)
21		Shim, Hinge
	12999501	Left
	12999502	Right
22		Grille, Toe
	W10244558	Apollo Grey
24		Hinge, Center (LT)
	13000001AP	Apollo Grey
25	12990511	Screw (10)
26		Cover, Water Line
	W10253811	Apollo Grey
27	12957702K	Lid, HV Box
28	12961602	Cover, Control Box
30	W10270394	Cover, Unit
31	M0108107	Clamp, Tube
32	12820505	Insulation, Sound
33	W10210988	Tube, Drain
34	W10236761	Cover, Water Valve
35	W10223786	Waterline, Household
36		Cabinet (Not a Servicable Part)

FOR ORDERING INFORMATION REFER TO PARTS PRICE LIST

# FREEZER LINER PARTS

For Models: KFIL27CXMS1

(Monochromatic Stainless)



FOR ORDERING INFORMATION REFER TO PARTS PRICE LIST

# FREEZER LINER PARTS

For Models: KFIL27CXMS1

(Monochromatic Stainless)

Illus. No.	Part No.	DESCRIPTION
1		Liner (Not A Serviceable Part)
2	A3189392	Gasket, Foam
3	12002497	Gear (Includes Both)
5	12812903WD	Shaft
6	12570701SP	Socket, Light
8	12990521	Screw (8)
9	2255743	Bulb, Light
10	12476401SP	Housing, Light
11	W10308421	Cover, Evaporator
12	12990511	Screw (4)
13		Bracket, Door
	W10122147	Left
	W10122148	Right
14	13027902SP	Housing, Light
15	12956601	Clip, Evap Motor
16	12466111SP	Switch, Light
17	12990504	Screw (2)
19	W10120018	Slide, Door
20	A3189396	Gasket, Bottom
21		Adapter, Slide
	W10284682	Left
	W10284683	Right
22	12959901	Grille, Fz Air
23	12951401	Shroud, Evap Fan
24	12986101	Blade, Fan (Evaporator)
25	12951101	Grommet
26	W10276647	Motor, Evaporator
27	D7753903	Funnel, Drain
28	M0500703	Seal
29	B8381501	Gasket
31	12815301	Cover, Thermistor
32	12990501	Screw (6)

---

**Following Parts Not Illustrated**

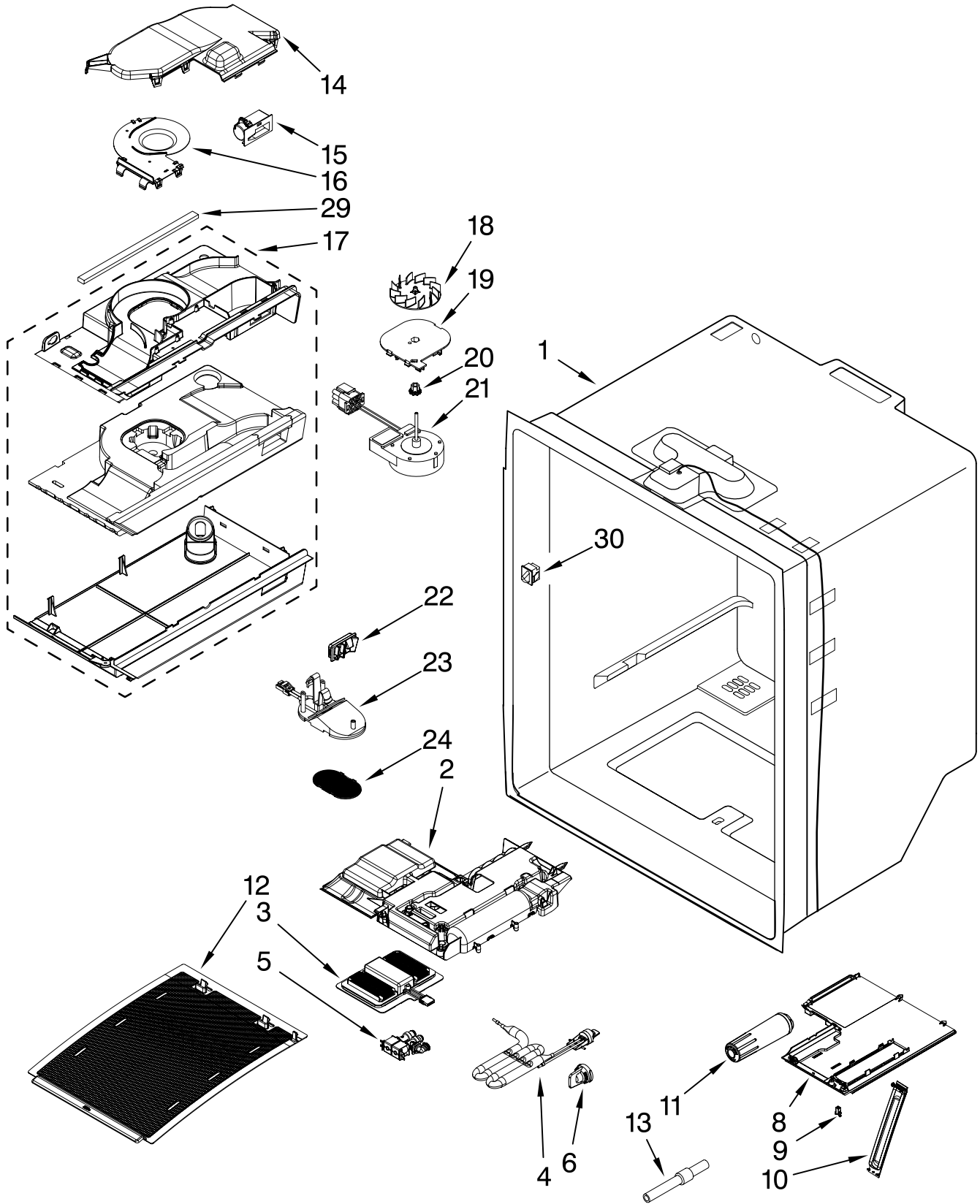
---

12952005SP Harness, Fz Module  
W10187177 Harness, Fountain  
Cavity

# REFRIGERATOR LINER PARTS

For Models: KFIL27CXMS1

(Monochromatic Stainless)



FOR ORDERING INFORMATION REFER TO PARTS PRICE LIST

# REFRIGERATOR LINER PARTS

For Models: KFIL27CXMS1

(Monochromatic Stainless)

<b>Illus. No.</b>	<b>Part No.</b>	<b>DESCRIPTION</b>
1		Liner (Not A Serviceable Part)
2	W10214813	Bracket, Water System
3	W10289592	LED Light Module
4	W10216070	Tank, Water
5	12956105	Valve, Dual Water
6	12664501SP	Cartridge, Bypass
8	W10215169	Cover, Water System
9	2223877	Latch, Push
10	W10213297	Door, Filter Access
11	UKF8001	Filter, Water
12	W10312047	Lens, Refrigerator LED
13	W10226186	Waterline, Valve to Hinge
14	W10194596	Duct, Scroll Inlet
15	W10247377	Damper, Electronic Control
16	W10194595	Plate, Scroll Inlet
17		Icebox Covers (Not Serviceable Order W10293764 Icebox Assembly)
18	W10123444K	Wheel, Impeller
19	W10194600	Bracket, Motor
20	12732801K	Grommet, Hex Fan
21	W10276647	Motor, Evap ECM
22	W10216534	Grille, Ref Air
23	W10320778	Module, LED Light, Auxiliary
24	W10237349	Lens, Icebox Cover LED
29	W10323021	Gasket, Icebox (Long)
30	12466103	Switch, Light
100	W10293764	Icebox Assembly, Complete

---

## Following Parts Not Illustrated

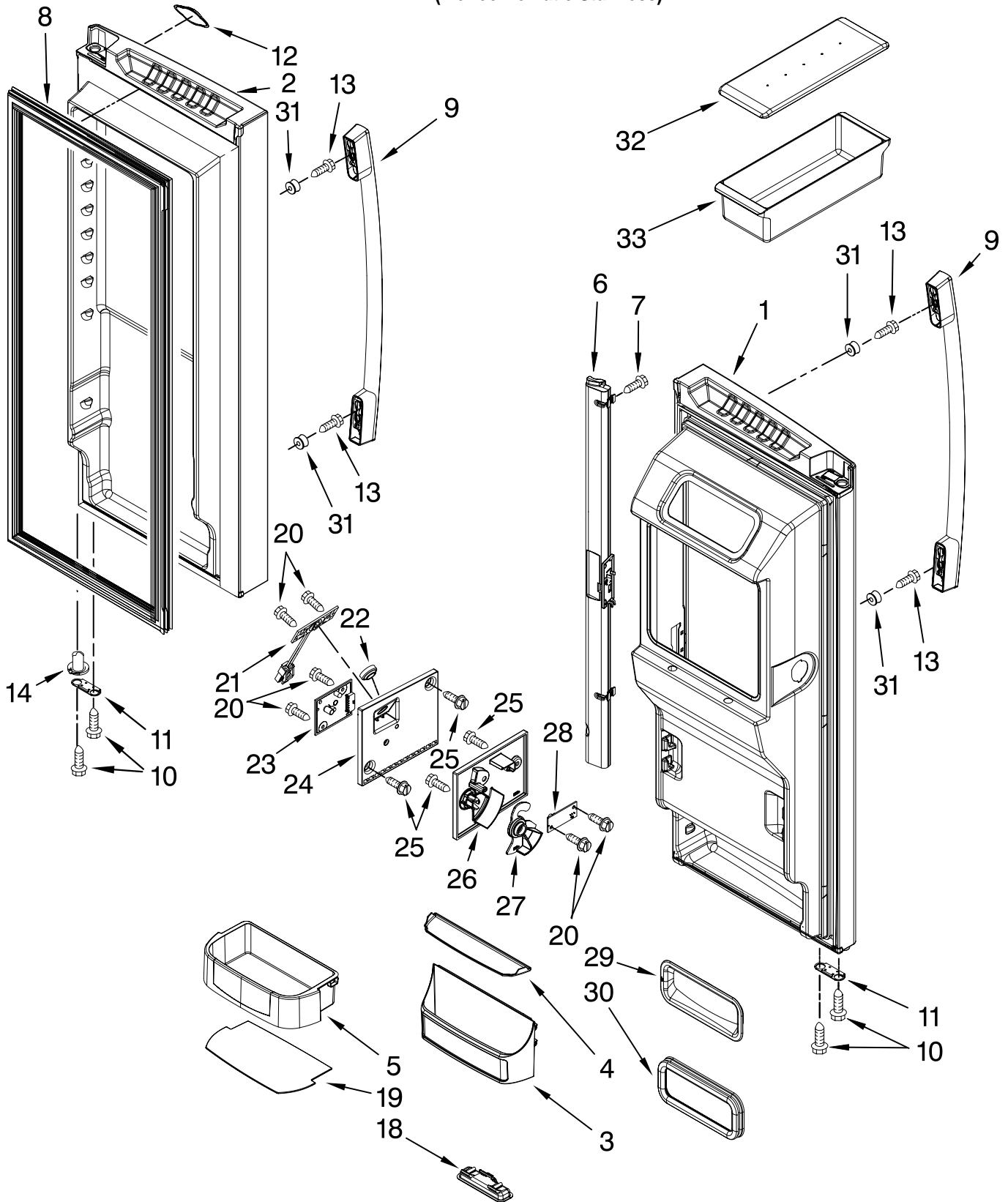
---

W10292583 Harness, RC Lights (Includes Thermistor)

# REFRIGERATOR DOOR PARTS

For Models: KFIL27CXMS1

(Monochromatic Stainless)



FOR ORDERING INFORMATION REFER TO PARTS PRICE LIST

# REFRIGERATOR DOOR PARTS

For Models: KFIL27CXMS1

(Monochromatic Stainless)

<b>Illus.</b>	<b>Part</b>	
<b>No.</b>	<b>No.</b>	<b>DESCRIPTION</b>
1		Door, Left
	13102614S	Stainless
2		Door, Right
	13102612S	Stainless
3	W10283472	Bucket, Door Small
4	W10283151	Gripper, Gallon
5	W10283469	Bucket, Door Gallon
6		Mullion, Door
	12722815AP	Apollo Grey
7	12990204	Screw
8		Gasket, Door
	W10163991	Apollo Grey
9		Handle, Door
	W10314517	Stainless
10	12990504	Screw
11		Stop, Door
	12968202AP	Apollo Grey
12		Nameplate
	W10243391	Stainless
13	W10290759	Screw, Handle
14		Closure, Door
	12028505AP	Apollo Grey
18	W10212141	Latch, Ice Bin
19	W10283145	Gripper
20	12993001	Screw
21	W10305123	LED, Ice Bin
22	W10225288	Lens, Ice Bin LED
23	W10273549	Board, Receiver
24	W10251672	Cover, Receiver
25	3400065	Screw
26	W10199834	Cover, Emitter
27	W10211511	Shutoff, Emitter
28	W10180607	Board, Emitter
29	W10247763	Seal, Ice Door
30	W10247668	Gasket, Ice Chute
31	13001201	Mount, Handle
32	10436404	Lid, Utility
33	10423131	Bin, Utility

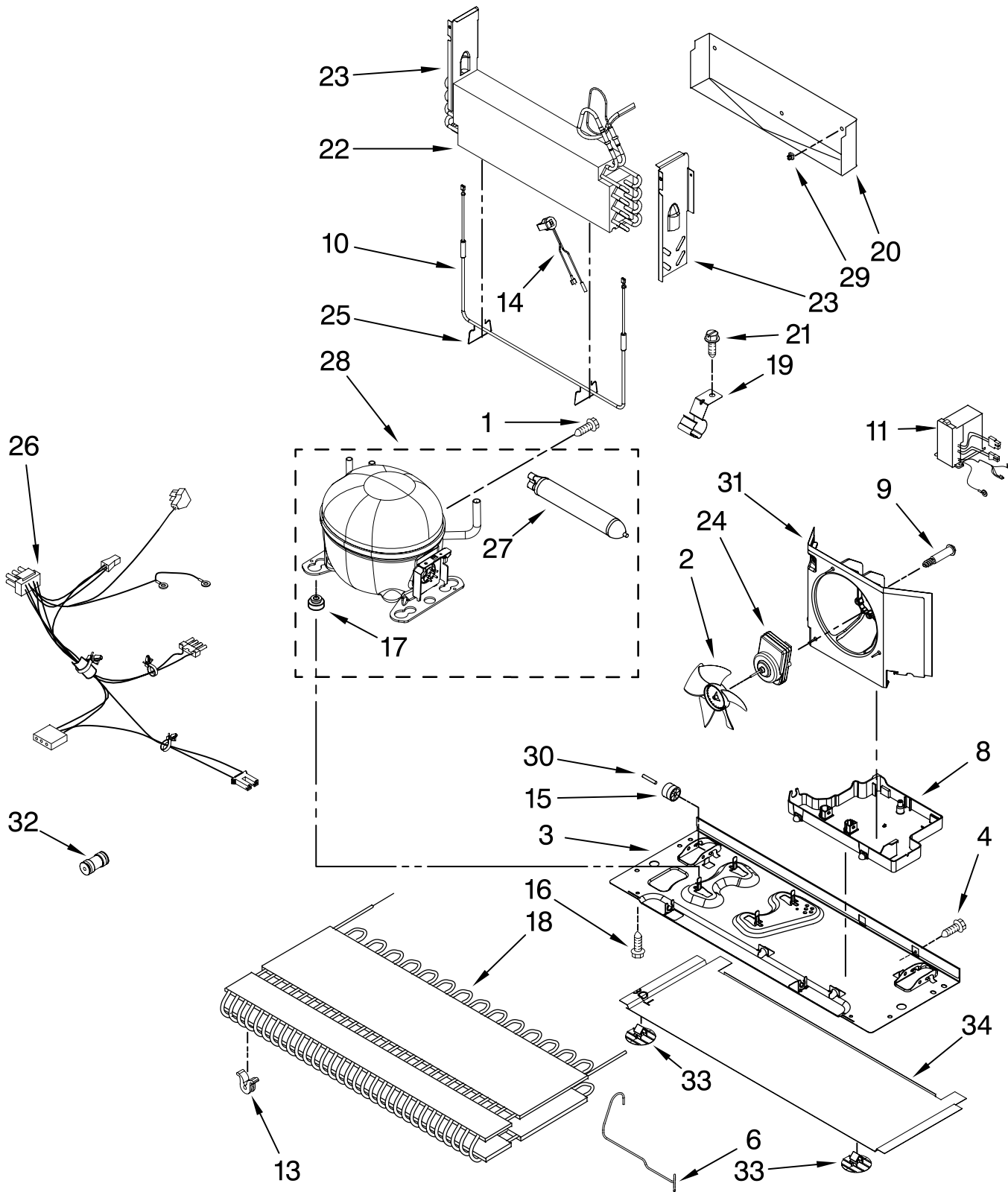
FOR ORDERING INFORMATION REFER TO PARTS PRICE LIST



# UNIT PARTS

For Models: KFIL27CXMS1

(Monochromatic Stainless)



FOR ORDERING INFORMATION REFER TO PARTS PRICE LIST

# UNIT PARTS

For Models: KFIL27CXMS1  
(Monochromatic Stainless)

Illus. No.	Part No.	DESCRIPTION
1	12992301	Screw
2	12825803	Blade, Fan
3	W10210985	Basepan
4	12990511	Screw
6	W10242974	Tube, Discharge
8	W10296785	Pan, Drain
9	W10216919	Screw, Shoulder
10	12729123	Heater, Defrost
11	W10186719	Box, Inverter
13	W10137529	Grommet, Cond (4)
14	628397	Thermostat, Defrost
15	12477102	Roller (2)
16	12992101	Screw
17	10835903SP	Grommet (4)
18	W10135026	Condenser
19	W10281329	Clip, Drier
20	W10292803	Tray, Drip
21	12990701	Screw
22	12959803	Evaporator

Illus. No.	Part No.	DESCRIPTION
23		Dam
	12963102SP	Right Side
	12963002SP	Left Side
24	W10239053	Motor, Fan
25	10428101	Clip, Heater
26	W10271463	Harness, Unit with Power Cord
27	W10143759	Drier
28	W10168473	Compressor (Includes items 11 and 27)
29	10623002	Clip, Evaporator
30	12477202	Axle, Roller (2)
31	W10189184	Shroud
32	2209709	Connector, Water
33	W10206339	Fastener, Basepan
34	W10206338	Extension, Basepan

Illus. No.	Part No.	DESCRIPTION
Following Parts Not Illustrated and Optional Parts Not Included		
	978025	Valve, Access (1/4")
	978026	Valve, Access (5/16")
	978027	Valve, Access (3/8")
	978028	Valve, Access (1/2")
	978029	Valve, Access (5/8")
	978030	Valve, Access (3/4")
	876764	Valve, Access (3/16")

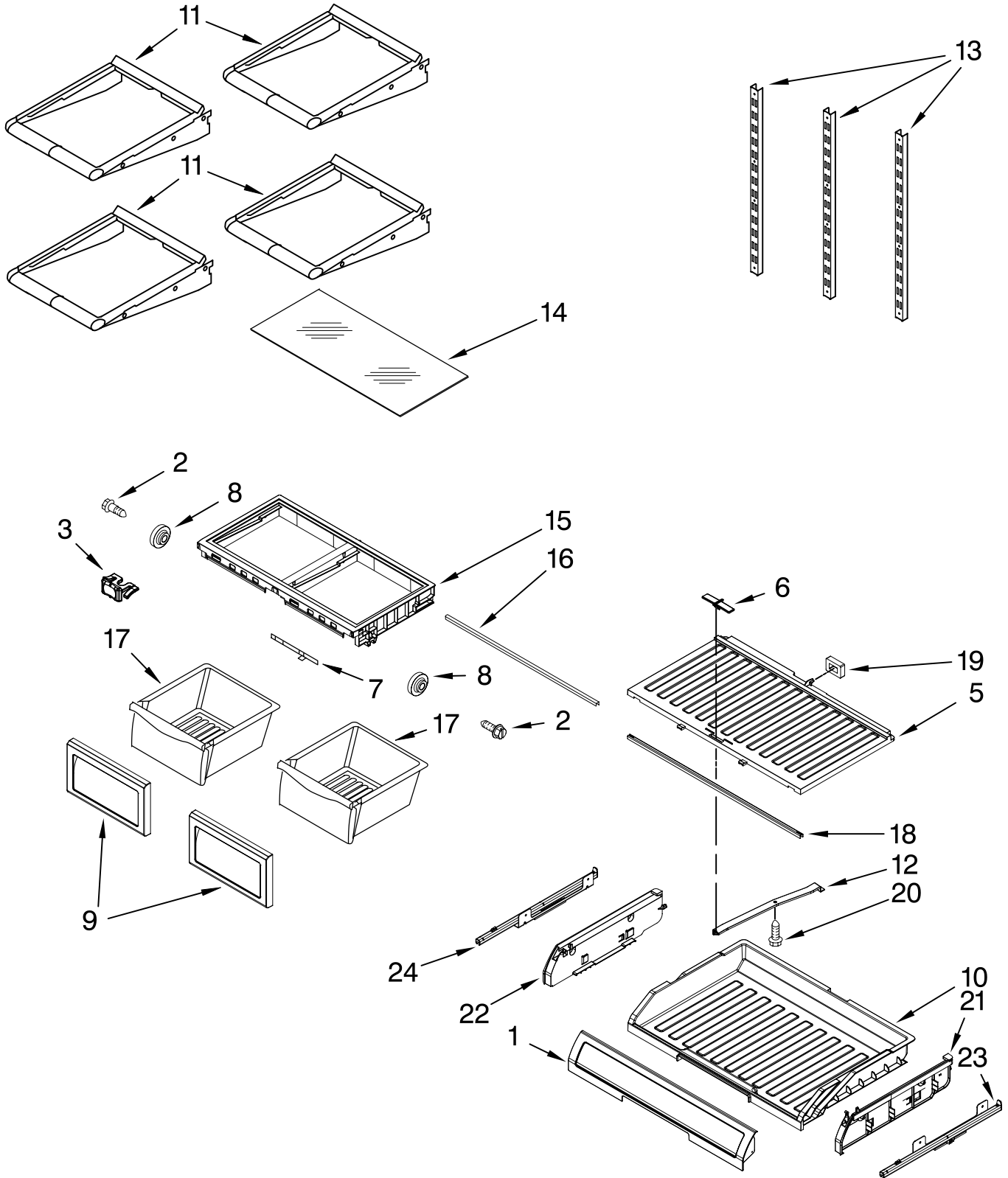
**REFRIGERANT CHARGE**

5.25 Ozs.  
(R-134A)

# SHELF PARTS

For Models: KFIL27CXMS1

(Monochromatic Stainless)



FOR ORDERING INFORMATION REFER TO PARTS PRICE LIST

# SHELF PARTS

For Models: KFIL27CXMS1  
(Monochromatic Stainless)

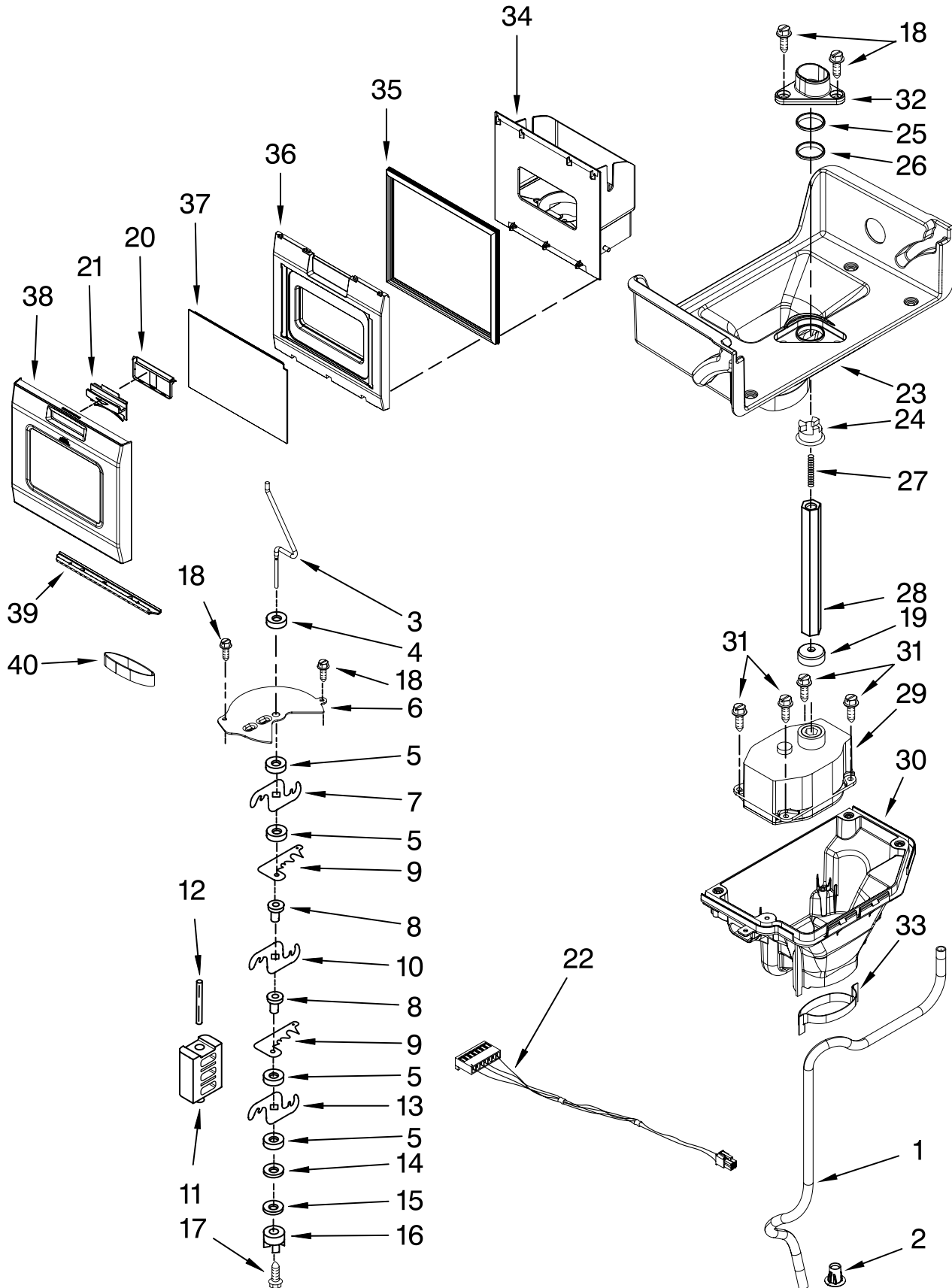
Illus. No.	Part No.	DESCRIPTION
1	W10278935	Lid Assembly, Pantry
2	12991401	Screw
3	W10119222	Knob, Humidity
5	W10276693	Pantry, Top
6	W10276721	Knob, Pantry Temp
7	W10119217	Slide, Humidity
8	12756701	Roller, Crisper Frame
9	W10276729	Front, Crisper
10	W10276689	Pan, Pantry
11	12654710	Shelf, Stationary
12	W10276723	Arm, Pantry Control
13	W10268264	Ladder (3)
14	W10279105	Glass, Crisper
15	W10276725	Frame, Crisper
16	W10119258	Brace, Crisper
17	W10276727	Pan, Crisper (2)
18	12227305WD	Brace, Pantry
19	W10279104	Gasket, Pantry
20	W10141645	Screw
21	W10276661	Endcap, Pantry(RH)
22	W10276687	Endcap, Pantry(LH)
23	W10132652	Slide, Pantry(RH)
24	W10132653	Slide, Pantry(LH)

FOR ORDERING INFORMATION REFER TO PARTS PRICE LIST

# MOTOR AND ICE CONTAINER PARTS

For Models: KFIL27CXMS1

(Monochromatic Stainless)



FOR ORDERING INFORMATION REFER TO PARTS PRICE LIST

# MOTOR AND ICE CONTAINER PARTS

For Models: KFIL27CXMS1

(Monochromatic Stainless)

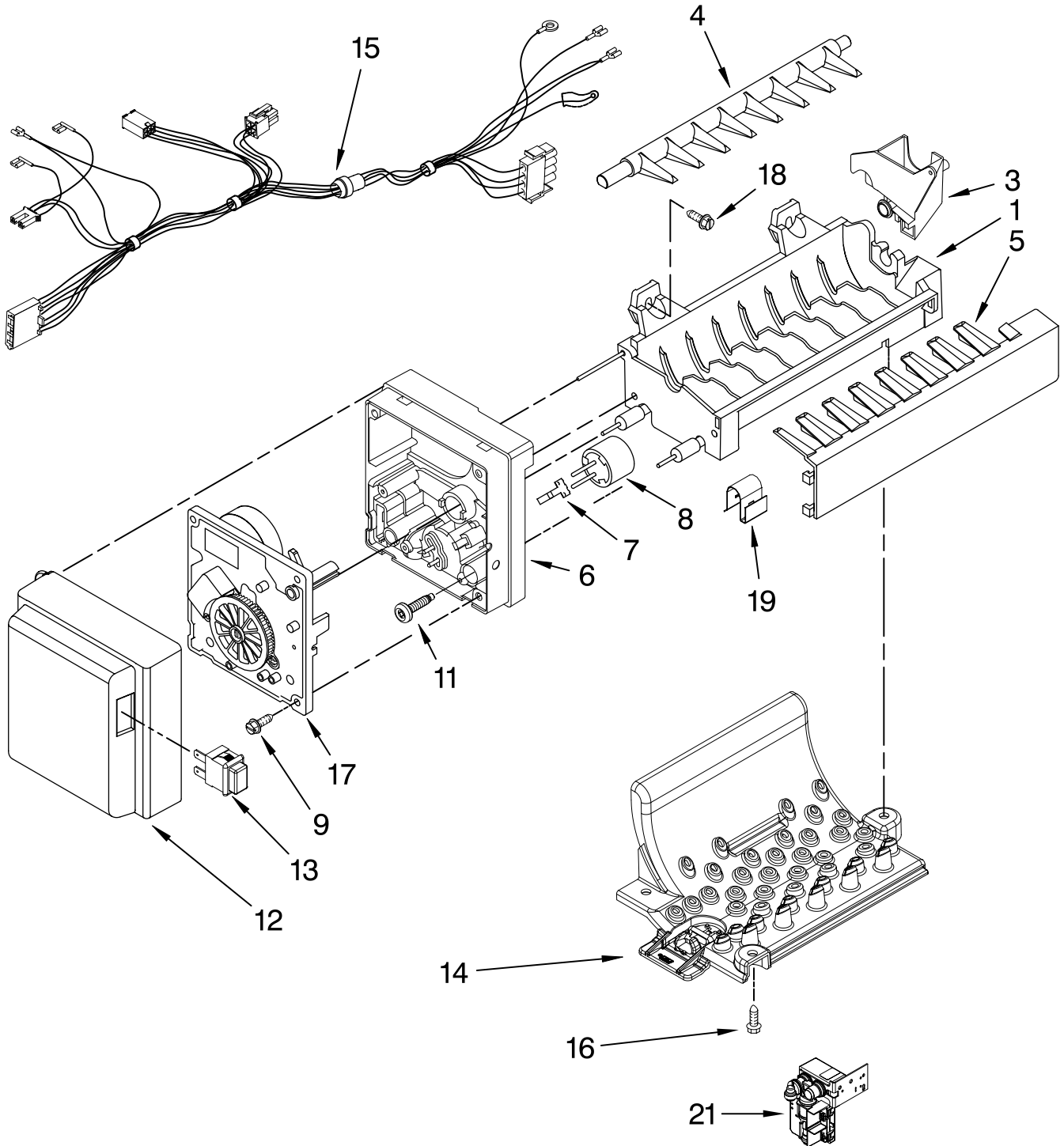
<b>Illus. No.</b>	<b>Part No.</b>	<b>DESCRIPTION</b>
1	W10245518	Tube, Drain
2	W10245516	Clip, Drain Tube
3	W10178230	Auger, Crusher
4	2258220	Washer, Auger
5	W10189658	Spacer, Flat (4)
6	W10178232	Cover, Crusher
7	W10278733	Blade, Rotary
8	W10189661	Spacer, Step (2)
9	2257020	Blade, Fixed
10	W10278732	Blade, Rotary
11	W10178238	Blade, Block
12	W10166878	Rollpin
13	W10278731	Blade, Rotary
14	489235	Washer, Plain
15	2198661	Washer, Coupling
16	2220457	Coupling
17	8281164	Screw
18	3400065	Screw
19	2323357	Grommet, Drive Shaft
20	W10215692	Cover, Latch
21	W10292300	Spring, Latch
22	W10291014	Harness, Dispenser Motor
23	W10276436	Cover, Mounting Plate
24	2220458	Coupling, Bottom
25	2198628	Seal
26	2212370	Washer
27	2198607	Spring
28	W10258592	Shaft, Motor
29	2323603	Motor, Dispenser
30	W10245601	Housing, Auger Motor
31	8281163	Screw
32	W10218551	Clip, Shaft
33	W10247398	Gasket, Motor Box
34	W10267558	Container, Ice
35	W10178224	Gasket, Ice Container
36	W10213615	EPS, Ice Container
37	W10218689	Window, Ice Container
38	W10292299	Front, Ice Container
39	W10248280	Hinge, Ice Bucket
40	W10166865	Gasket, Chute
100	W10292301	Container, Ice (Complete)

FOR ORDERING INFORMATION REFER TO PARTS PRICE LIST

# ICEMAKER PARTS

For Models: KFIL27CXMS1

(Monochromatic Stainless)



FOR ORDERING INFORMATION REFER TO PARTS PRICE LIST

# ICEMAKER PARTS

For Models: KFIL27CXMS1  
(Monochromatic Stainless)

Illus. No.	Part No.	DESCRIPTION
1	W10161596	Mold & Heater Assembly (Also Order 542638 Grease)
3	W10160726	Cup, Fill
4	W10318644	Ejector
5	W10267602	Ice Stripper
6	2194712	Support, Housing
7	2315522	Retainer, Thermostat
8	628397	Thermostat (Also Order 542369 Cement)
9	W10001240	Screw (3)
11	8533917	Screw (2)
12	W10212429	Cover
13	W10212431	Switch, On-Off
14	W10194598	Duct, Impinger Top
15	W10292582	Harness, Icemaker
16	12990511K	Screw, Impinger
17	626691	Module Assembly
18	W10001240	Screw (3)
19	628379	Clip
21	W10270395	Valve, Smart
100	W10122559	Icemaker Assembly

---

Following Parts Not Illustrated

---

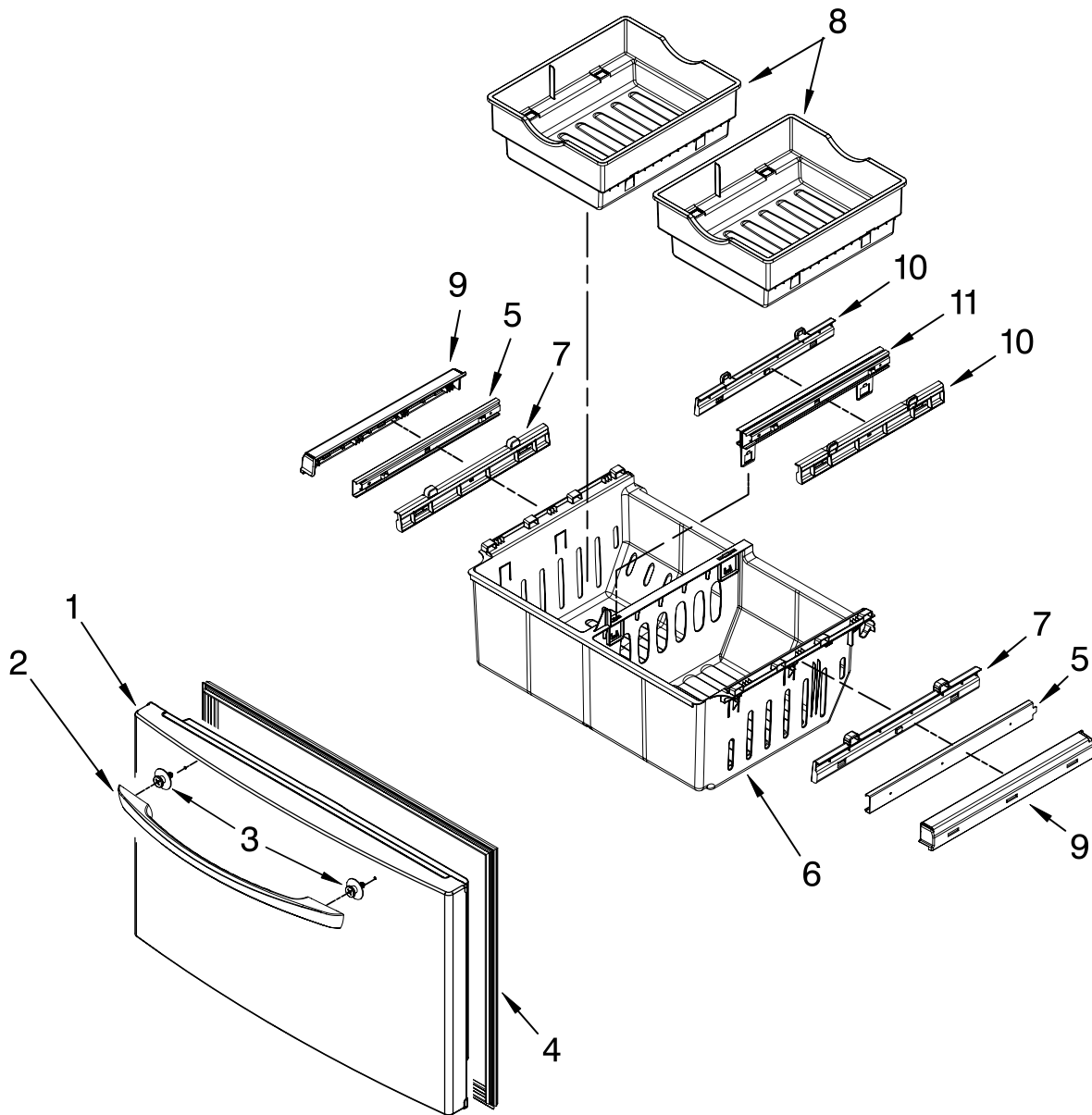
10244904 Coupling



# FREEZER DOOR PARTS

For Models: KFIL27CXMS1

(Monochromatic Stainless)



Illus. No.	Part No.	DESCRIPTION
1	12977847S	Freezer Door Stainless
2	W10314522	Handle, Door Stainless
3	13001201	Mount, Handle

Illus. No.	Part No.	DESCRIPTION
4	W10164045	Gasket, Door Apollo Grey
5	W10235367	Glide, Upper
6	12924801SP	Bin, Lower
7	12925403SP	Adapter, Bin (Outer)
8	12924903	Bin, Upper

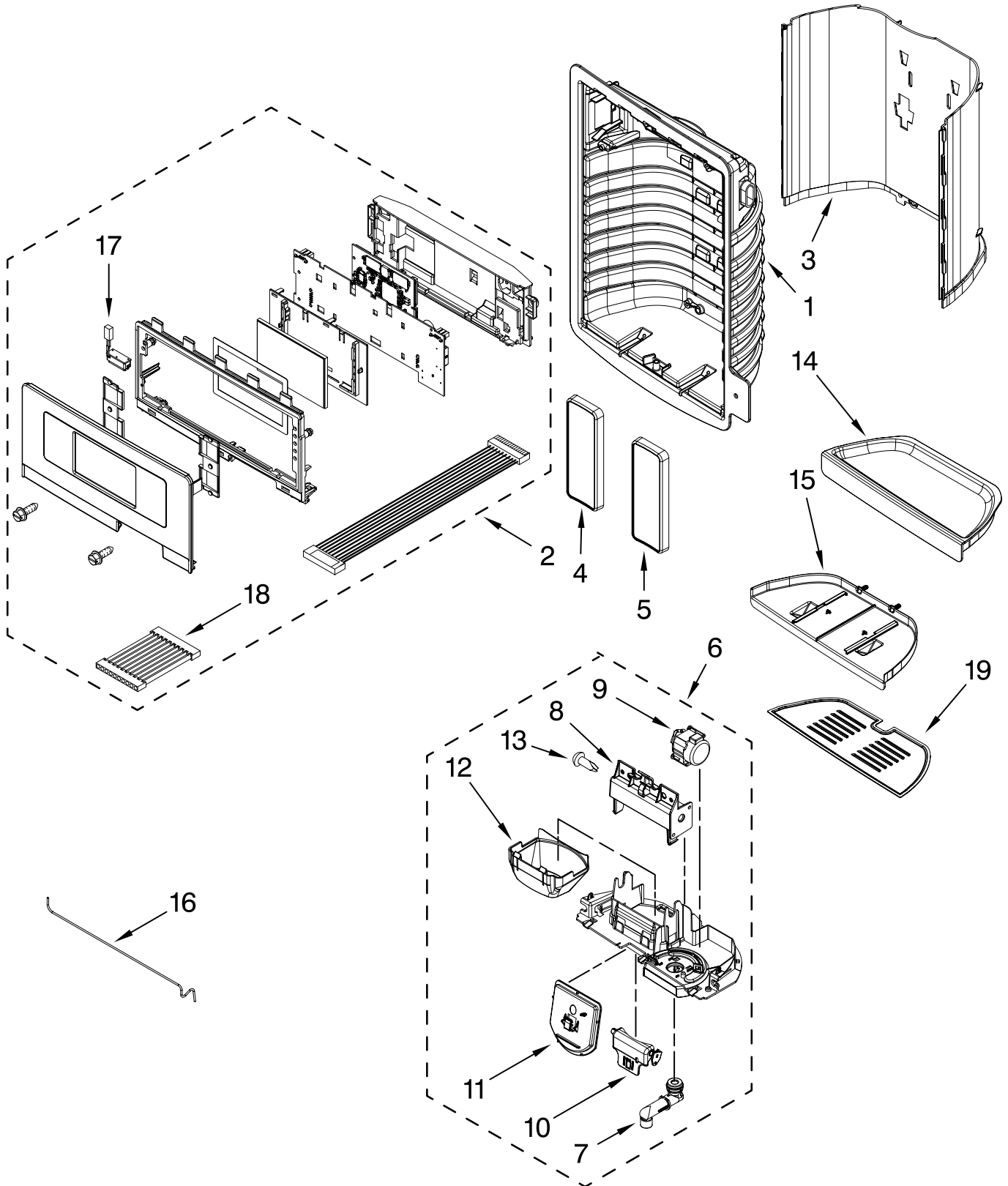
Illus. No.	Part No.	DESCRIPTION
9	12925501SP	Retainer, Glide Left
	12925502SP	Right
10	12925404SP	Adapter, Bin (Inner)
11	12969701	Bracket/Glide Assembly

FOR ORDERING INFORMATION REFER TO PARTS PRICE LIST

# DISPENSER FRONT PARTS

For Models: KFIL27CXMS1

(Monochromatic Stainless)



FOR ORDERING INFORMATION REFER TO PARTS PRICE LIST

# DISPENSER FRONT PARTS

For Models: KFIL27CXMS1

(Monochromatic Stainless)

<b>Illus.</b>	<b>Part</b>	
<b>No.</b>	<b>No.</b>	<b>DESCRIPTION</b>
1		Housing, Dispenser (Not Serviced)
2		UI Assembly
	W10309089	Stainless
3		False Wall, Dispenser
	W10305890	Stainless
4		Pad, Ice
	W10309329	Nickel
5		Pad, Water
	W10309326	Nickel
6	W10278973	Separator Assembly
7	2316647	Spigot
8	W10174827	Bracket, Ice Door
9	W10205979	Motor, Ice Door
10	W10174809	Support, Ice Door
11	W10174811	Door, Ice
12	W10174808	Guide, Ice
13	4449745	Screw
14		Tray, Dispenser
	W10305897	Stainless
15		Slide, Tray Dispenser
	W10267863	Apollo Grey
16	W10314372	Tube, Water
17	W10238083	LED
18	W10193350	Harness, Jumper
19	W10215957	Grate, Tray

FOR ORDERING INFORMATION REFER TO PARTS PRICE LIST

# OPTIONAL PARTS (NOT INCLUDED)

For Models: KFIL27CXMS1

(Monochromatic Stainless)

<b>Illus.</b>	<b>Part</b>	
<b>No.</b>	<b>No.</b>	<b>DESCRIPTION</b>

## Miscellaneous

212643	Sealer, Gum (4 Feet)
479502	Tape, Vinyl (3/4 x 108")
876370	Kit, Insulation (2 Pcs. x 3" x 24" X 48")
876305	Kit, Insulation (14 Pcs. x 3" x 24" x 48")
978941	Insulation, Fiberglass (63-1/2" x 35-1/2" X 2-5/8)
876029	Kit, Foam Slab (30" x 32-1/2" x 1-1/2")
505587	Sealer, Mastic (1 Qt.)
503695	Cork, Sealer (1/4 Pound)
20000008	Cleaner, Stnls Steel Magic
542638	Grease, Silicone (1/2 Oz.)
542639	Cement, Alumilastic (1-1/4 Oz.)
606755	Bag, Insulation (36-5/8" x 46")
799833	Kit, Evaporator Repair (Aluminum Epoxy)
833938	Kit, Terminal Connector

## TORX SCREW WRENCH

1117510 Torx Key